

Construction

HOUSING is die-cast aluminum, heavy duty, structurally rigid and vibration resistant. Housing is finished charcoal gray using polyester powder coat. Other optional finishes are available.

LENS DOOR ASSEMBLY: Minimum 1/8" thick tempered glass lens, thermal and impact resistant, sealed with door-frame and housing using extruded, memory retentive silicone gasket. The doorframe is die-cast aluminum.

BASE HOUSING is die-cast ALUMINUM. It is an enclosure for the electrical components. Housing/lens door assembly is separated by a shaft.

HEATSINK is 1/2" thick aluminum with maximum contact with die die-cast housing for efficient heat dissipation and cooler operation for the LED engine for the long life operation..

Optical System

Optical system is built in with the LED engine (Titan). For 6-Atlas LED engines optics provided for narrow flood (NF) or medium flood (MF) or wide flood (WF). Please specify.

Electrical Components

LED ENGINE: Lamina ceramic 2-Titan (30W) or 6-Atlas (40W). Available in warm or natural day light color or RGB for color changing programmable with DMX-512 interface.

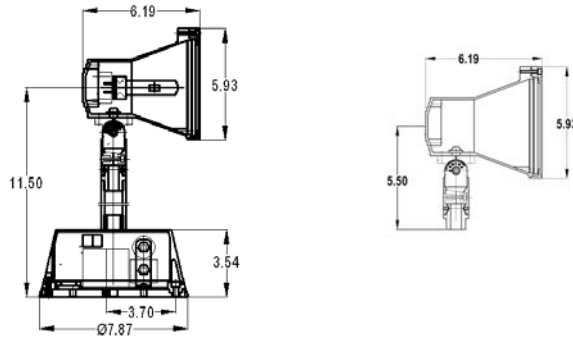
Mounting

The base can be mounted on horizontal (ground, pedestal, or post) or vertical (wall) surface. The power supply connection can be made inside the base housing. Also available with junction box mounting without base (LB) and remote ballast to drive up to 4- units.

Listings

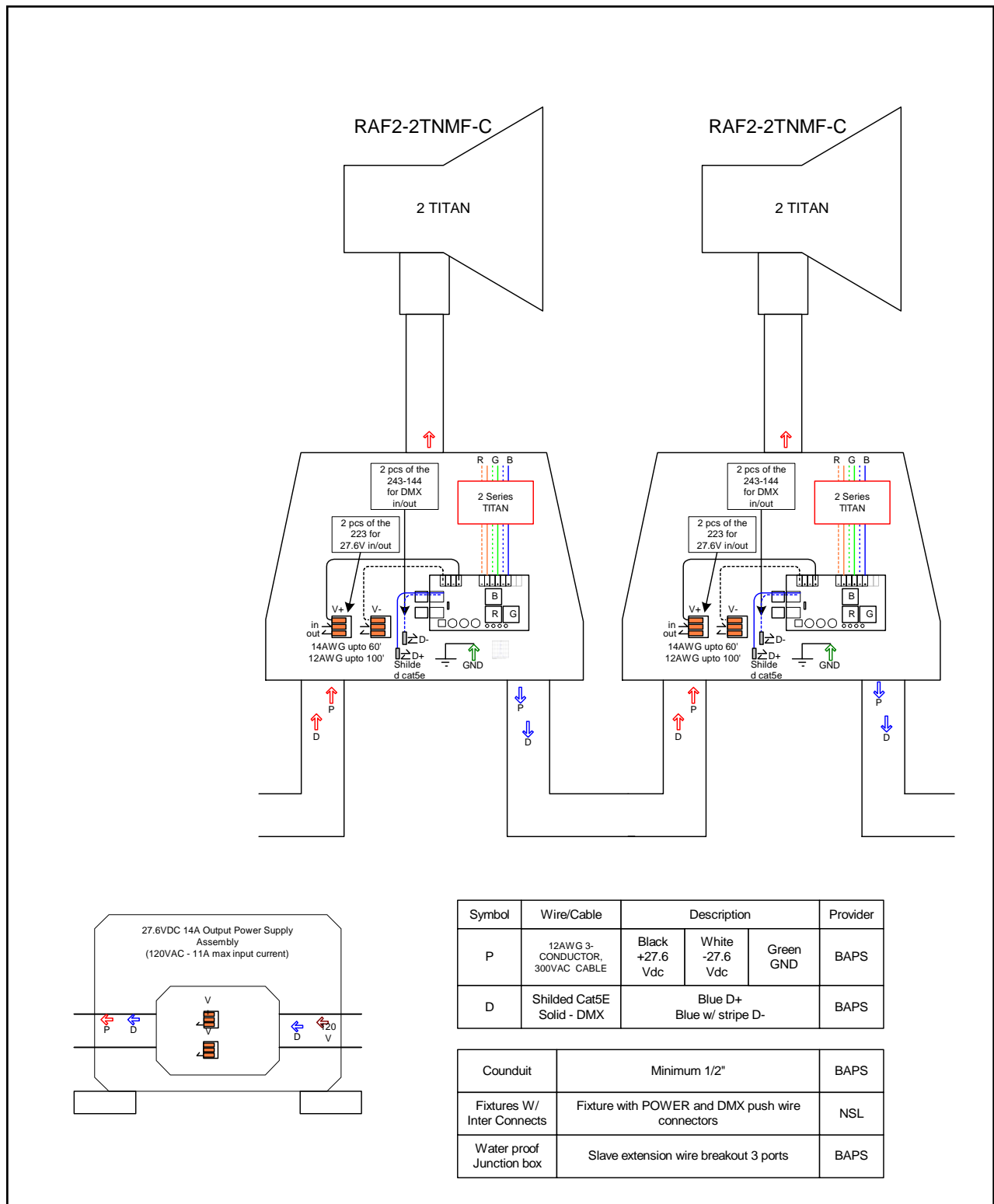
ETL listed and certified for UL 1598 and CSA C22.2 NO. 250.0 standards. Suitable for indoor/outdoor wet or damp location use.

***** Consult factory for large network integration allowing master slave configuration for sharing drivers to multiple LED engines and DMX interface.**



| ORDERING GUIDE | | | | | | |
|---------------------------------|---|----------------|------------|--------------------------------|------------------------|--|
| MODEL | | NO OF LED | LED TYPE | BEAM SPREAD | RGB or White | OPTION |
| RAF2 | - | 2 | TN | MF | C | - |
| RAF2 - Basic Model | | 2 = Two Titan | TN = Titan | NF = Narrow Flood (Atlas only) | C = RGB Color Changing | Blank = NO option |
| RAF2M = Master with controller | | 6 = Six, Atlas | AT = Atlas | MF = Medium Flood | W = White | LB = Less Base |
| RAF2S = Slave, share controller | | | | WF = Wide Flood | | V = Vertical Spread Lens H = Horizontal Spread Lens |
| | | | | | | XF = Special Finish |





North Star Lighting Inc

