

Construction

HOUSING is die-cast aluminum, heavy duty, structurally rigid and vibration resistant. Housing is finished charcoal gray using polyester powder coat. Other optional finishes are available.

LENS DOOR ASSEMBLY: Minimum 1/8" thick tempered glass lens, thermal and impact resistant, sealed with doorframe and housing using extruded, memory retentive silicone gasket. The doorframe is die-cast aluminum.

BASE HOUSING is die-cast ALUMINUM. It is an enclosure for the electrical components. Housing/lens door assembly is separated by a shaft.

HEATSINK is 1/2" thick aluminum with maximum contact with die die-cast housing for efficient heat dissipation and cooler operation for the LED engine for the long life operation..

Optical System

Optical system is built in with the LED engine (1-Titan), or 2-Atlas LED engines optics provided for narrow flood (NF) or medium flood (MF) or wide flood (WF). Please specify.

Electrical Components

LED ENGINE: Lamina ceramic 1-Titan (30W) or 2-Atlas (15W). Available in warm or natural day light color or RGB for color changing programmable with DMX-512 interface.

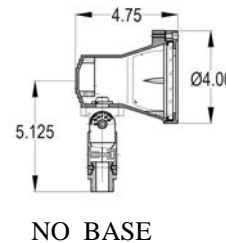
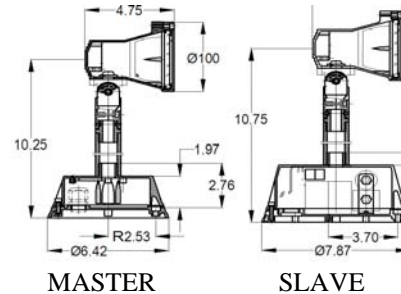
Mounting

The base can be mounted on horizontal (ground, pedestal, or post) or vertical (wall) surface. The power supply connection can be made inside the base housing. Also available with junction box mounting without base (LB) and remote ballast to drive up to 4- units.

Listings

ETL listed and certified for UL 1598 and CSA C22.2 NO. 250.0 standards. Suitable for indoor/outdoor wet or damp location use.

*** Consult factory for large network integration allowing master slave configuration for sharing drivers to multiple LED engines and DMX interface.



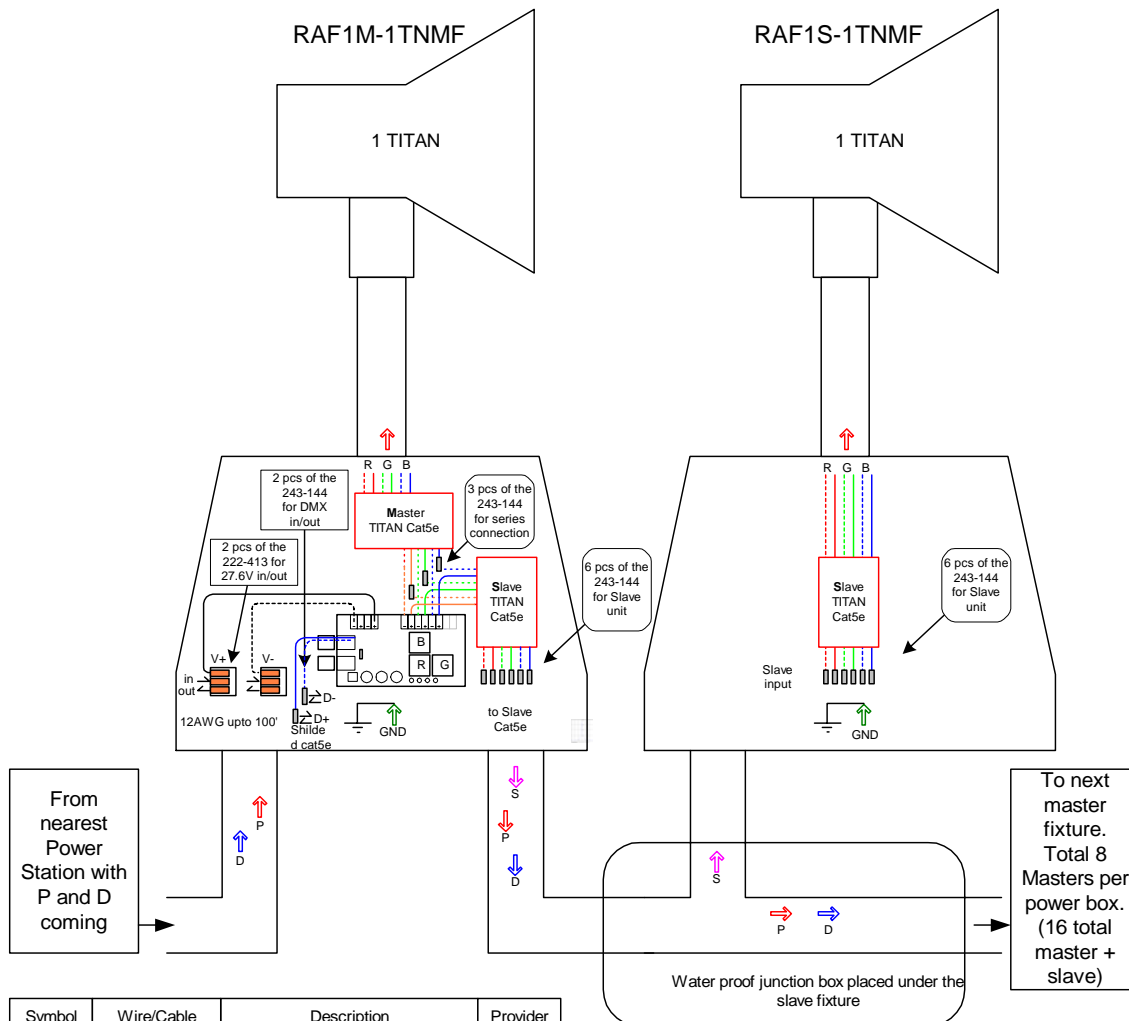
ORDERING GUIDE

MODEL		NO OF LED	LED TYPE	BEAM SPREAD	RGB or White	OPTION
RAF1	-	1	TN	MF	C	-
RAF1 - Basic Model		1 = One Titan	TN = Titan	NF = Narrow Flood (Atlas only)	C = RGB Color Changing	Blank = NO option
RAF1M = Master with controller		2 = Two Atlas	AT = Atlas	MF = Medium Flood	W = WHITE	LB = Less Base
RAF1S = Slave, share controller				WF = Wide Flood		V = Vertical Spread Lens H = Horizontal Spread Lens
						XF = Special Finish

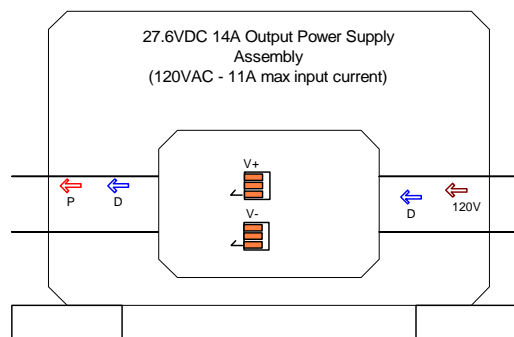


North Star Lighting Inc





Symbol	Wire/Cable	Description			Provider
P	12AWG 3-CONDUCTOR, 300VAC CABLE	Black +27.6 Vdc	White -27.6 Vdc	Green GND	BAPS
D	Shielded Cat5E Solid - DMX	Blue D+ Blue w/ stripe D-			BAPS
S	Cat5E Solid to SLAVE	Orange pair for Red, Green pair for Green, Blue pair for Blue			BAPS
Conduit	Minimum 1/2"			BAPS	
Fixtures W/ Inter Connects	Fixture with POWER and DMX push wire connectors			NSL	
Water proof Junction box	Slave extension wire breakout 3 ports			BAPS	



North Star Lighting Inc

