

# Parking Garage Light—Square

## GSS-SERIES

### SPECIFICATIONS

#### Construction

HOUSING die-cast, corrosive resistant aluminum, integral with through wiring 1/2 - EMT plugs; finished with polyester powder coat of desired color.

PRISMATIC CLEAR LENS injection molded from UV resistant high impact polycarbonate or acrylic (standard); sealed with housing using extruded, memory retentive silicone gasket. It is mounted with (4) captive stainless steel screws for positive seal every time and captivated with safety stainless steel cable.

#### Optical System

Unique geometrical design to complement reflector geometry with prism configuration of lenticular lens system, provides an optical system with excellent glare control at all viewing angles. We offer most popular type VSQ distribution or asymmetric narrow-wide, medium wide or forward throw distribution or bi-directional symmetrical narrow wide distribution, by adding specular segmented reflector facets.

#### Electrical Components

LAMPHOLDER shall be glazed porcelain medium base with spring loaded center contact; Nickel plated copper screw shell with anti-vibration grip. Rated 4KV, 600V.

BALLAST shall be high power factor with reliable lamp starting temperature below -40°F for HPS and -20°F for MH. Ballast coil windings are copper with class H insulation.

#### Mounting

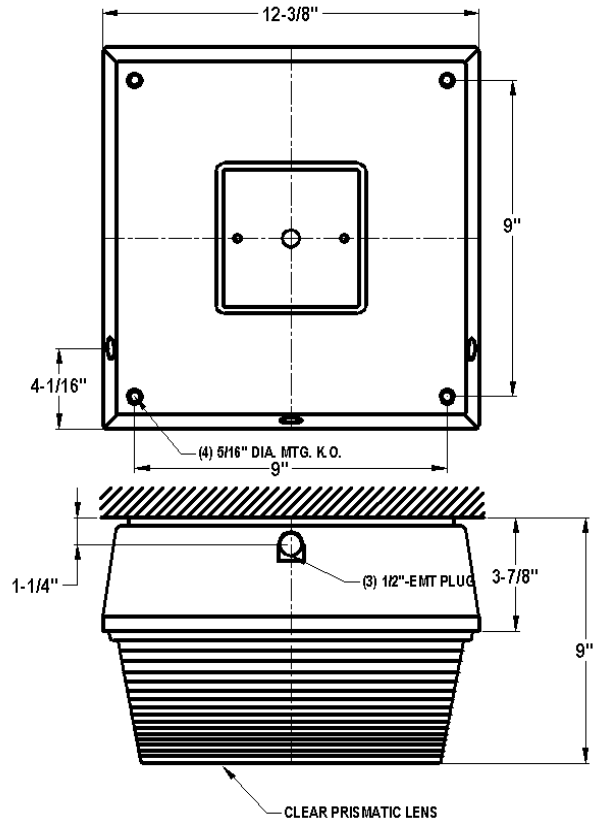
Quick Mount ceiling bracket (option—QM) provided with sealed wiring compartment suitable for outdoor wet location application.

OPTIONAL mounting brackets are available for quick installation/maintenance:

- Pendant Mount with splicing compartment (Specify option P)
- Pendant Mount with Balanced J-box (Specify option BJ)
- Trunnion Mount—12" std. height (Specify option TM)

#### Listings

UL 1598 suitable for indoor/outdoor wet or damp locations. Built to exceed IEC IP54 rating.



LAMP INCLUDED WITH THE FIXTURE

*NORTH STAR LIGHTING offers complete performance package, specifically designed for parking garage applications where low ceilings, wide fixture spacing and shallow view angles are required parameters. Such applications demand challenge in the design of optical system. It requires glare control, upright in cove areas and yet light source must be shielded at all viewing angles.*

*This product offers all of the above plus unique quick mount feature for low installation cost in the competitive market.*



# North Star Lighting Inc



2150 Parkes Drive, Broadview, Illinois, 60155. Phone: (708) 681-4330; Fax: (708) 681-4006  
Web Site: [www.nslights.com](http://www.nslights.com)

ORDERING GUIDE										
MODEL NUMBER			LIGHT SOURCE OPTIONS				OPTIONS / ACCESSORIES			
PRODUCT FAMILY	REFLECTOR DISTRIBUTION	MOUNTING OPTIONS	LAMP WATTAGE	LAMP TYPE / BASE	VOLTAGE	BALLAST TYPE	OPTION-1	OPTION-2	OPTION-3	
Basic Model										
GSS	-									
GARAGE LIGHT, SQUARE, SMALL	1 = Sym. Narrow wide	DM=DIRECT MOUNT	35 = 35W	MME = MH-MEDIUM	120 = 120V	C = CWA	PE = PHOTOCELL			
	2 = Asym. Narrow wide	QM=QUICK MOUNT	50 = 50W	HME = HPS-MEDIUM	208 = 208V	A = AUTO REG	SIF = SINGLE IN-LINE FUSE			
	3 = Asym. Medium Wide	BJ=BALANCED J-BOX	100 = 100W	PS = PULSE START MH	240 = 240V	M = MAG-REG	DIF = DOUBLE IN-LINE FUSE			
	4 = Forward Throw	P=PENDANT MOUNT W/BOX	150 = 150W		277 = 277V	L = LOW LOSS AUTOREG	PL = POLYCARBONATE. LENS.			
	5 = TYPE-VSQ	TM=TRUNNION MOUNT	175 = 175W		480 = 480V	P = CWI				
		EM=EXPOSED CONDUIT MT.	200 = 200W		347 = 347V		FINISHES:			
				MT = MULTI VOLTAGE		SIL = SILVER		BZ = BRONZE		
						WT = WHITE		BK = BLACK		

RECOMMENDED MAINTAINED ILLUMINANCE VALUES FOR PARKING GARAGES						
(IESNA RP-20-98, Table 2)						
Location		Minimum Horizontal		Maximum/Minimum Horizontal Uniformity Ratio	Minimum Vertical Illuminance @ 5 ft above ground @ minimum horizontal value	
		Lux	fc		Lux	fc
Basic		10	1.0	10:1	5	0.5
Ramps						
	Day	20	2.0	10:1	10	1.0
	Night	10	1.0	10:1	5	0.5
Entrances						
	Day	500	50.0		250	25.0
	Night	10	1.0	10:1	5	0.5
Stairways		20	2.0		10	1.0



North Star Lighting Inc.

