

# Parking Garage Light—Round

## GRS-SERIES

### SPECIFICATIONS

#### Construction

HOUSING die-cast, corrosive resistant aluminum, integral with through wiring 3/4" - EMT plugs; finished with polyester powder coat of desired color.

PRISMATIC CLEAR LENS injection molded from UV resistant high impact polycarbonate or acrylic (standard); sealed with housing using extruded, memory retentive silicone gasket. It is secured and sealed in the die-cast aluminum lens ring using extruded gasket and lens clips. Lens ring assembly hinged and secured with the housing using captive stainless steel screw.

#### Optical System

Unique geometrical design to complement reflector geometry with prism configuration of lenticular lens system, provides an optical system with excellent glare control at all viewing angles. We offer most popular type VSQ distribution or asymmetric type II, III and IV distribution or bi-directional symmetrical type I using integrated prismatic lens system.

#### Electrical Components

LAMPHOLDER shall be glazed porcelain medium base with spring loaded center contact; Nickel plated copper screw shell with anti-vibration grip. Rated 4KV, 600V.

BALLAST shall be high power factor with reliable lamp starting temperature below -40°F for HPS and -20°F for MH. Ballast coil windings are copper with class H insulation.

#### Mounting

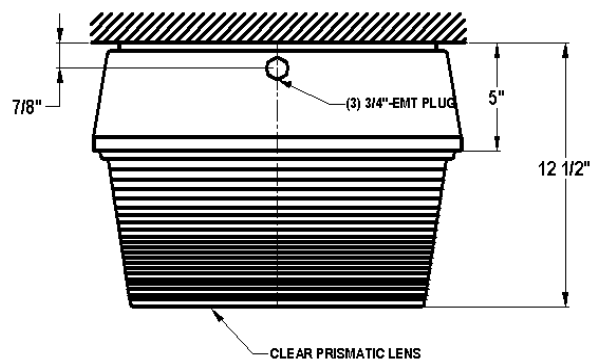
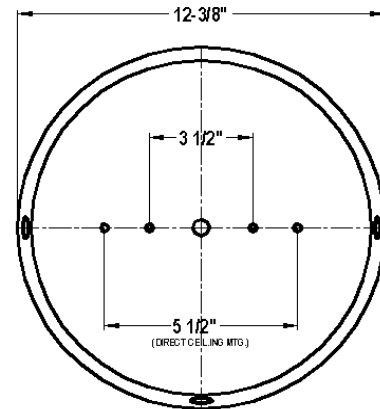
Quick Mount ceiling bracket (option—QM) provided with sealed wiring compartment suitable for outdoor wet location application.

OPTIONAL mounting brackets are available for quick installation/maintenance:

- Pendant Mount with splicing compartment (Specify option P)
- Pendant Mount with Balanced J-box (Specify option BJ)
- Trunion Mount—12" std. Height (Specify option TM)

#### Listings

UL 1598 suitable for indoor/outdoor wet or damp locations. Built to exceed IEC IP54 rating.



LAMP INCLUDED WITH THE FIXTURE

*NORTH STAR LIGHTING offers complete performance package, specifically designed for parking garage applications where low ceilings, wide fixture spacing and shallow view angles are required parameters. Such applications demand challenge in the design of optical system. It requires glare control, upright in cove areas and yet light source must be shielded at all viewing angles.*

*This product offers all of the above plus unique quick mount feature for low installation cost in the competitive market.*



# North Star Lighting Inc



2150 Parkes Drive, Broadview, Illinois, 60155. Phone: (708) 681-4330; Fax: (708) 681-4006  
Web Site: [www.nslights.com](http://www.nslights.com)

| ORDERING GUIDE             |                        |                        |                      |                     |                    |                      |                           |          |          |  |
|----------------------------|------------------------|------------------------|----------------------|---------------------|--------------------|----------------------|---------------------------|----------|----------|--|
| MODEL NUMBER               |                        |                        | LIGHT SOURCE OPTIONS |                     |                    |                      | OPTIONS / ACCESSORIES     |          |          |  |
| PRODUCT FAMILY             | REFLECTOR DISTRIBUTION | MOUNTING OPTIONS       | LAMP WATTAGE         | LAMP TYPE / BASE    | VOLTAGE            | BALLAST TYPE         | OPTION-1                  | OPTION-2 | OPTION-3 |  |
|                            |                        |                        |                      |                     |                    |                      |                           |          |          |  |
| Basic Model                | -                      |                        |                      |                     |                    |                      |                           |          |          |  |
| GRS                        | -                      |                        |                      |                     |                    |                      |                           |          |          |  |
| GARAGE LIGHT, ROUND, SMALL | 1 = TYPE I             | DM=DIRECT MOUNT        | 35 = 35W             | MME = MH-MEDIUM     | 120 = 120V         | C = CWA              | PE = PHOTOCELL            |          |          |  |
|                            | 2 = TYPE II            | QM=QUICK MOUNT         | 50 = 50W             | HME = HPS-MEDIUM    | 208 = 208V         | A = AUTO REG         | SIF = SINGLE IN-LINE FUSE |          |          |  |
|                            | 3 = TYPE III           | BJ=BALANCED J-BOX      | 100 = 100W           | PS = PULSE START MH | 240 = 240V         | M = MAG-REG          | DIF = DOUBLE IN-LINE FUSE |          |          |  |
|                            | 4 = TYPE IV            | P=PENDANT MOUNT W/BOX  | 150 = 150W           |                     | 277 = 277V         | L = LOW LOSS AUTOREG | PL = POLYCARBONATE LENS   |          |          |  |
|                            | 5 = TYPE-VSQ           | TM=TRUNNION MOUNT      | 175 = 175W           |                     | 347 = 347V         | P = CWI              |                           |          |          |  |
|                            |                        | EM=EXPOSED CONDUIT MT. |                      |                     |                    |                      | FINISHES:                 |          |          |  |
|                            |                        |                        |                      |                     | MT = MULTI VOLTAGE |                      | SIL = SILVER              |          |          |  |
|                            |                        |                        |                      |                     |                    | WT = WHITE           |                           |          |          |  |

| RECOMMENDED MAINTAINED ILLUMINANCE VALUES FOR PARKING GARAGES |       |                    |      |   |   |      |
|---|-------|--------------------|------|---|---|------|
| (IESNA RP-20-98, Table 2)                                     |       |                    |      |   |   |      |
| Location  |       | Minimum Horizontal |      | Maximum/Minimum Horizontal Uniformity Ratio | Minimum Vertical Illuminance @ 5 ft above ground @ minimum horizontal value |      |
|   |       | Lux                | fc   |   | Lux   | fc   |
| Basic   |       | 10                 | 1.0  | 10:1  | 5   | 0.5  |
| Ramps   |       |                    |      |   |   |      |
|   | Day   | 20                 | 2.0  | 10:1  | 10  | 1.0  |
|   | Night | 10                 | 1.0  | 10:1  | 5   | 0.5  |
| Entrances   |       |                    |      |   |   |      |
|   | Day   | 500                | 50.0 |   | 250   | 25.0 |
|   | Night | 10                 | 1.0  | 10:1  | 5   | 0.5  |
| Stairways   |       | 20                 | 2.0  |   | 10  | 1.0  |



North Star Lighting Inc.

