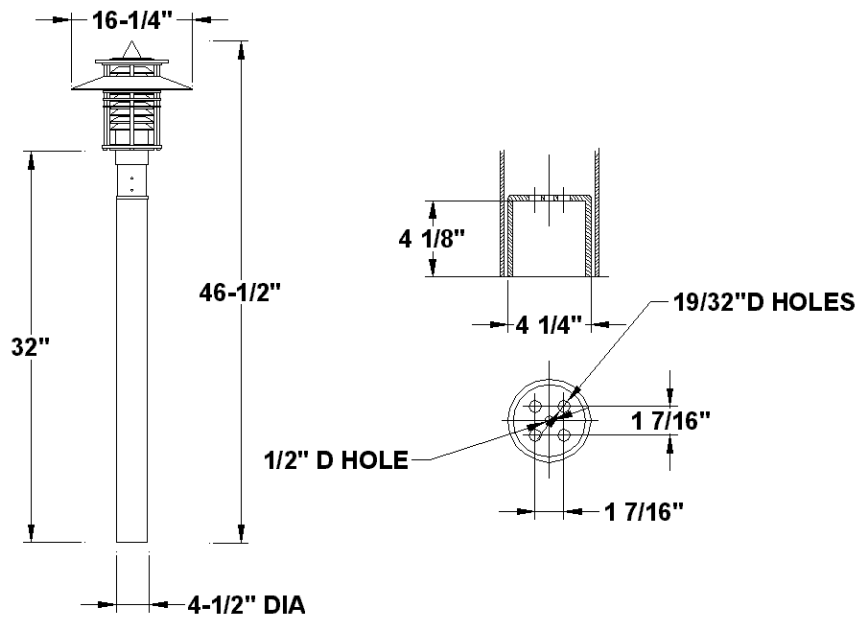


Bollards: Euro - 4.5" Round

BL-EUR SERIES

SPECIFICATIONS

- Cast housing made from anti-corrosion aluminum with copper content less than 0.5%.
- Post base constructed from extruded aluminum tubing.
- Concealed glass lens dif-fuser.
- All external fasteners are made of stainless steel.
- Modular removable ballast assembly.
- Lamp included.
- Weatherproof and durable silicone gaskets.
- UV stabilized, textured black polyester powder coat finish.
- IP55 rated conforms to IEC Class-I rating.
- UL 1598 listed for wet location indoor/outdoor use.



BL - EUR

ORDERING GUIDE

PRODUCT FAMILY	MODEL NUMBER		LIGHT SOURCE OPTIONS				OPTIONS / ACCESSORIES	
	BOLLARD STYLE	OPTICS	LAMP WATTAGE	LAMP TYPE / LAMP BASE	VOLTAGE	BALLAST TYPE	OPTION-1	OPTION - 2
Basic Model	-	-	-	-	-	-	-	-
BL = BOLLARD	EUR = Euro Post Top	1 = Diffuse Louvers	50 = 50W	MME = MH-MEDIUM BASE	120 = 120V	C = CWA	SIF = SINGLE IN-LINE FUSE	
		2 = Glass Refractor bowl	70 = 70W/75W	HME = HPS MEDIUM BASE	208 = 208V	HX = High Reactance	DIF = DOUBLE IN-LINE FUSE	
		3 = Diffuse Cone	100 = 100W	PS = PULSE START MH	240 = 240V		FINISHES:	
			26 = 26W PLT	CF = COMPACT TRIPLE TUBE	277 = 277V		GR = GRAY	BZ = BRONZE
			32 = 32W PLT		MT = MULTI VOLTAGE		WT = WHITE	BK = BLACK
			42 = 42W PLT					

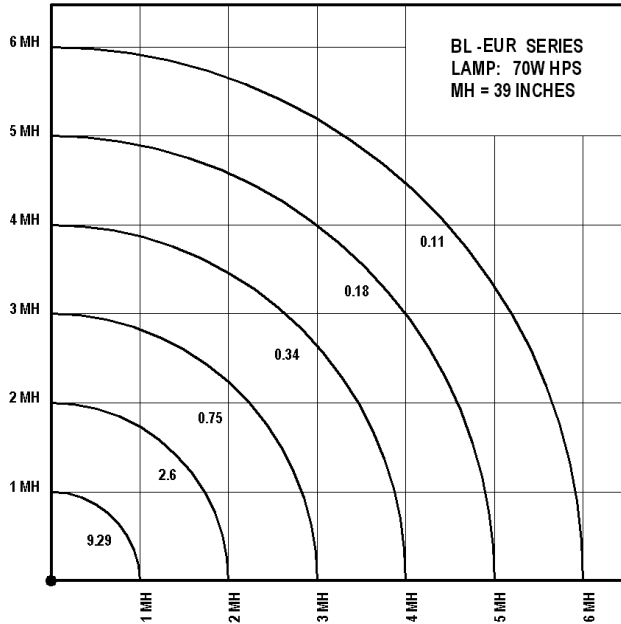


North Star Lighting Inc

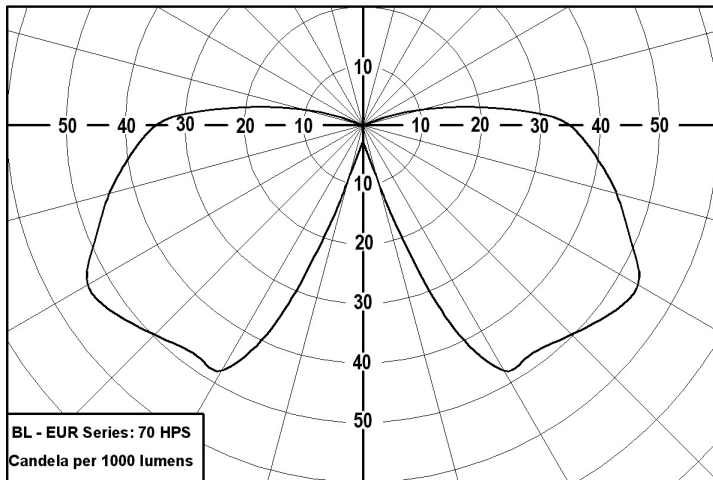


2150 Parkes Drive, Broadview, Illinois, 60155. Phone: (708) 681-4330; Fax: (708) 681-4006
Web Site: www.nslights.com

PHOTOMETRIC DATA



LAMP MULTIPLIER			
LAMP TYPE	WATTS	INI. LUMENS	MULTIPLIER
MH	100	9000	1.406
MH	70	5500	0.859
MH	50	3900	0.609
MH	32	2400	0.375
HPS	100	9500	1.484
HPS	70	6400	1.000
HPS	50	4000	0.625
HPS	35	2250	0.352
PLT	26	1800	0.281
PLT	32	2200	0.344
PLT	42	3200	0.500



LAMP MULTIPLIER			
LAMP TYPE	WATTS	INI. LUMENS	MULTIPLIER
MH	100	9000	9.000
MH	70	5500	5.500
MH	50	3900	3.900
MH	32	2400	2.400
HPS	100	9500	9.500
HPS	70	6400	6.400
HPS	50	4000	4.000
HPS	35	2250	2.250
PLT	26	1800	1.800
PLT	32	2200	2.200
PLT	42	3200	3.200



North Star Lighting Inc.

