

Construction

HOUSING is cast aluminum, heavy duty, structurally rigid and vibration resistant. Housing is finished charcoal gray using polyester powder coat. Other optional finishes are available.

LENS DOOR ASSEMBLY: Minimum 1/8" thick clear lens, thermal and impact resistant, sealed with doorframe and housing using o-ring, memory retentive neoprene gasket. The doorframe is die-cast aluminum.

Optical System

Optical system is a built in LED engine for medium wide beam distribution .

Electrical Components

Designed to use Lamina Ceramics 1-Titan RGB/white (30W) or 1-Atlas RGB/white (7W) LED light engine optimum performance for highlighting steps or walkway.

For optimum performance and longer life use only with the controller and driver available from North Star Lighting.

Mounting

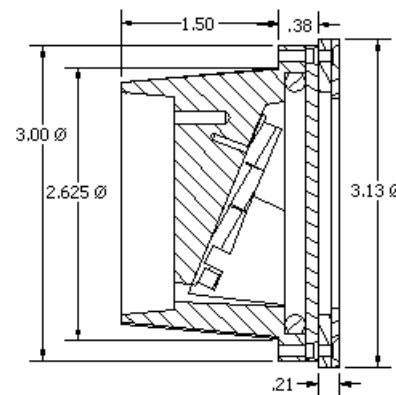
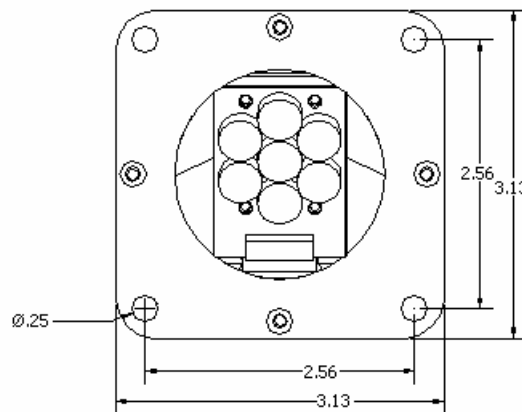
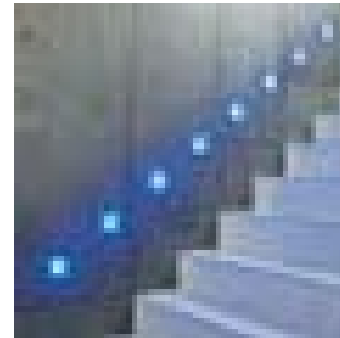
In ground as shown in the drawing.

Listing

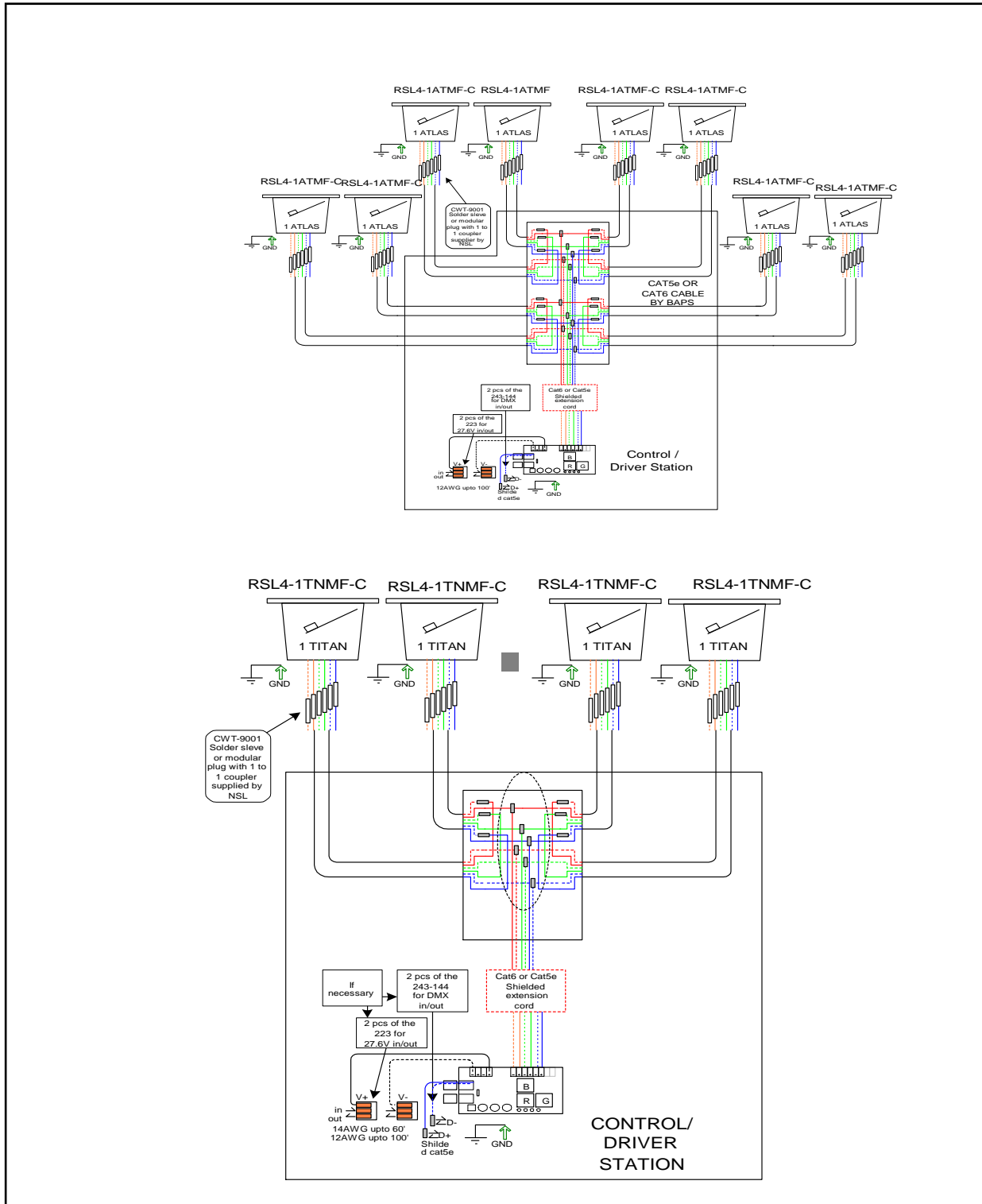
ETL listed and certified for UL 1598 and CSA C22.2 NO. 250.0 standards. Suitable for indoor/outdoor wet or damp location use.

CATALOG NUMBER:

- RSL4-1TNMF-C
- RSL4-1TNMF-W
- RSL4-1ATMF-C
- RSL4-1ATMF-W



Recessed Step Light 4" Dia.



North Star Lighting Inc

